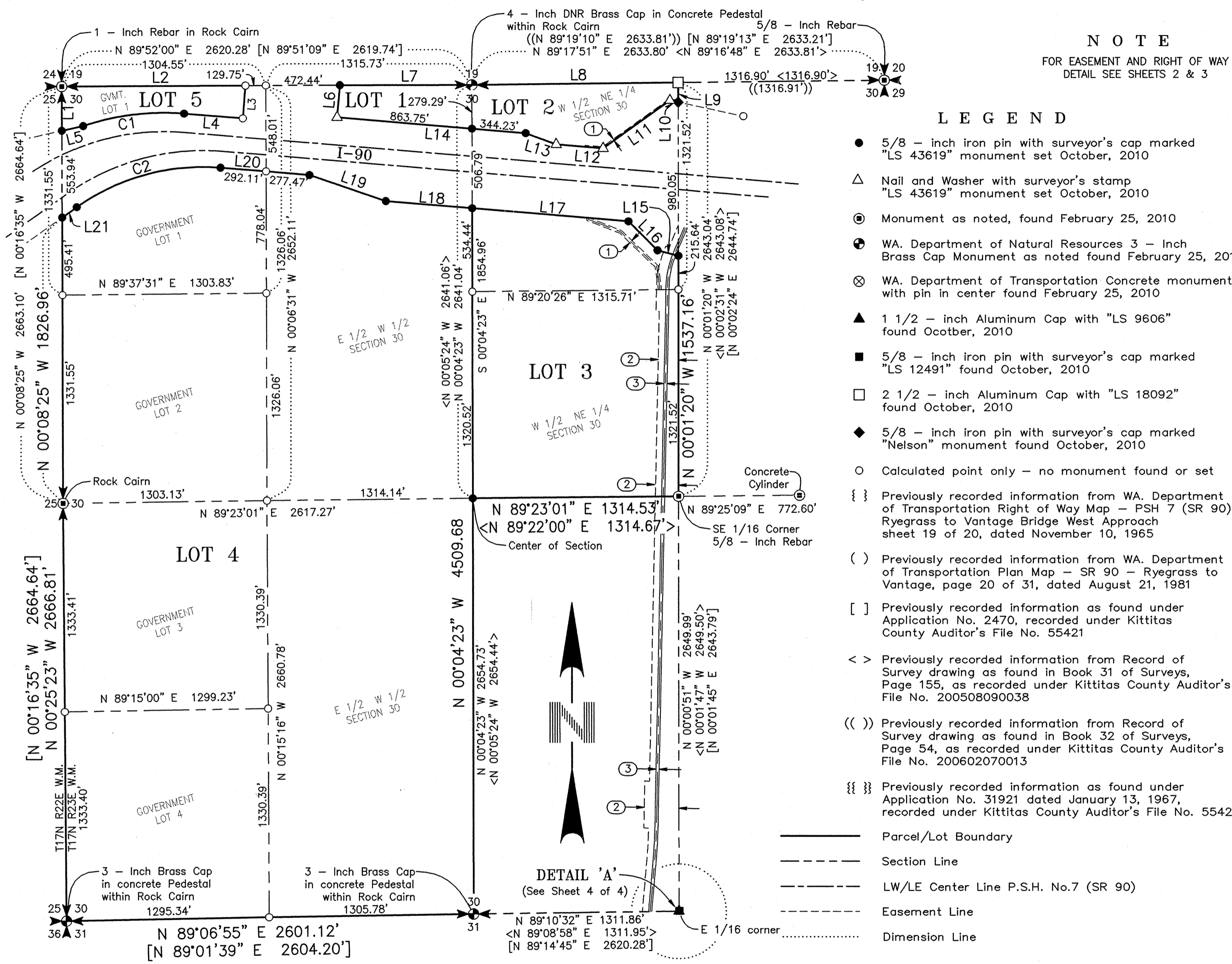


RICK N. SKINNER

231730

A PORTION OF THE N 1/2 OF SECTION 30, TOWNSHIP 17 NORTH, RANGE 23 EAST, W.M. KITITAS COUNTY, WASHINGTON



NOTE
FOR EASEMENT AND RIGHT OF WAY
DETAIL SEE SHEETS 2 & 3

LEGEND

- 5/8 - inch iron pin with surveyor's cap marked "LS 43619" monument set October, 2010
- △ Nail and Washer with surveyor's stamp "LS 43619" monument set October, 2010
- ⊙ Monument as noted, found February 25, 2010
- ⊕ WA. Department of Natural Resources 3 - Inch Brass Cap Monument as noted found February 25, 2010
- ⊗ WA. Department of Transportation Concrete monument with pin in center found February 25, 2010
- ▲ 1 1/2 - inch Aluminum Cap with "LS 9606" found October, 2010
- 5/8 - inch iron pin with surveyor's cap marked "LS 12491" found October, 2010
- 2 1/2 - inch Aluminum Cap with "LS 18092" found October, 2010
- ◆ 5/8 - inch iron pin with surveyor's cap marked "Nelson" monument found October, 2010
- Calculated point only - no monument found or set
- { } Previously recorded information from WA. Department of Transportation Right of Way Map - PSH 7 (SR 90) Ryegrass to Vantage Bridge West Approach sheet 19 of 20, dated November 10, 1965
- () Previously recorded information from WA. Department of Transportation Plan Map - SR 90 - Ryegrass to Vantage, page 20 of 31, dated August 21, 1981
- [] Previously recorded information as found under Application No. 2470, recorded under Kittitas County Auditor's File No. 55421
- < > Previously recorded information from Record of Survey drawing as found in Book 31 of Surveys, Page 155, as recorded under Kittitas County Auditor's File No. 200508090038
- (()) Previously recorded information from Record of Survey drawing as found in Book 32 of Surveys, Page 54, as recorded under Kittitas County Auditor's File No. 200602070013
- { { } Previously recorded information as found under Application No. 31921 dated January 13, 1967, recorded under Kittitas County Auditor's File No. 55421
- Parcel/Lot Boundary
- - - Section Line
- - - LW/LE Center Line P.S.H. No.7 (SR 90)
- - - Easement Line
- - - Dimension Line

NOTICE

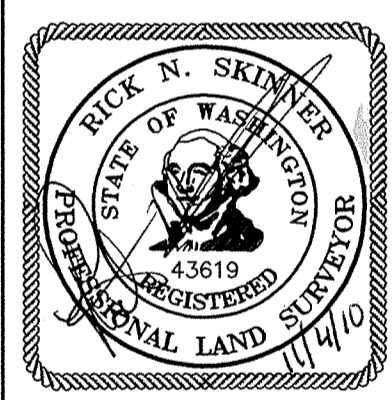
This is a Boundary Line Survey and as such is not intended to show, nor does it purport to show, all easements and encumbrances.

This survey was prepared for the exclusive use of the person, persons, or entity named in the Surveyor's Certificate hereon. Said certificate does not extend to any unnamed person without an expressed recertification by the Surveyor naming said person.

INSTRUMENT USED	INDEXING DATA
Trimble 5700 GPS Receivers - RTK Method	
Accuracy -- 5mm + 0.5 ppm (x baseline length)	S30 T17N R23E

SURVEYOR'S CERTIFICATE

This map correctly represents a survey made by me or under my direction in conformance with the requirements of the Survey Recording Act at the request of Mr. Brian Stockdale in October, 2009



[Signature]
RICK N. SKINNER, P.L.S.
Washington Land Surveyor No. 43619

AUDITOR'S CERTIFICATE

Filed for record this day of 2010, at M, in Book of Surveys at Page(s) under Auditor's File Number at the request of Western Pacific Engineering and Survey, Inc.

County Auditor

Deputy County Auditor

WESTERN PACIFIC ENGINEERING AND SURVEY, INC.
A TERRA DEVELOPMENT SERVICES COMPANY
Pioneer Way Professional Center
1328 Hunter Place (509)765-1023 Moses Lake, Wash.

WA. STATE PARKS DEPT.

A Portion of the N 1/2 of Section 30, Township 17 North, Range 23 East, W.M.

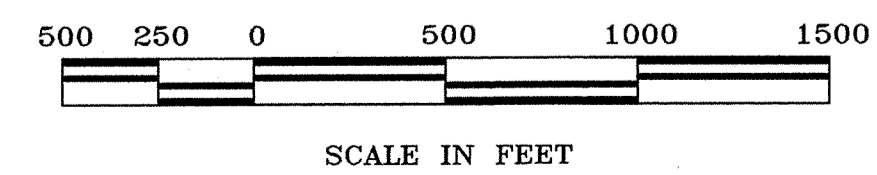
Kittitas County Washington

Surveyed by LMH Date 11-09 Scale 1" = 500'
Drawn by Tml/MMH Date 11-09 Sheet 1 of 4
Checked by RNS Date 10-10 Project No. 09156

ORIGINAL PROPERTY DESCRIPTION

BASIS OF BEARING

Basis of Bearing are Determined from the Washington State Plane Coordinate System, south Zone NAD 83/91 Datum projected to ground



PARCEL 1
The West half of the North East Quarter lying Southerly of I-90 in Section 30, Township 17 North, Range 23 East, W.M., Kittitas County, Washington.

PARCEL 2
A Portion of the Northwest Quarter (NW 1/4) of the Northeast Quarter (NE 1/4) and a portion of the Northeast Quarter (NE 1/4) lying North of I-90 in Section 30, Township 17 North, Range 23 East, W.M., Kittitas County, Washington.

PARCEL 3
Lots 1, 2, 3, and 4 and the East half of the West half of Section 30, Township 17 North, Range 23 East, W.M., Kittitas County, Washington, lying Southerly of the right of way of I-90.

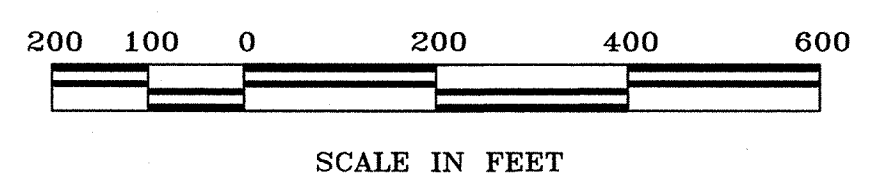
File Project Desc.: S:\09156\09156srs.pro Nov 4, 2010

R E C O R D O F S U R V E Y

231730

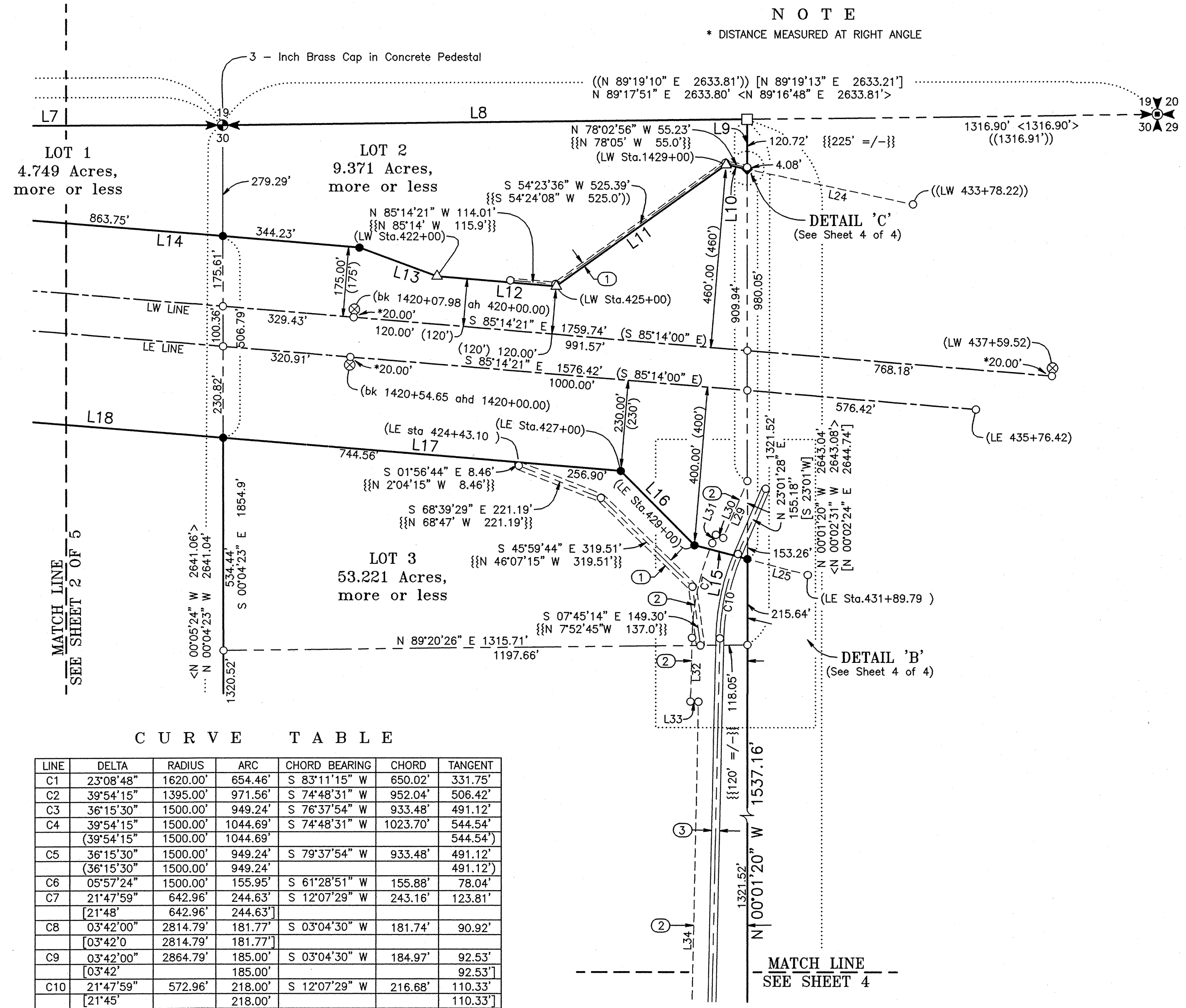
A PORTION OF THE N 1/2 OF SECTION 30, TOWNSHIP 17 NORTH, RANGE 23 EAST, W.M.
KITTITAS COUNTY, WASHINGTON

A D J A C E N T P R O P E R T Y
O W N E R S H I P



- A. STOCKDALE INC.
P.O. Box 1101
Vantage, WA. 98950
- B. STATE OF WASHINGTON
DEPT. OF PARKS AND
RECREATION
7150 Cleanwater Ln.
Olympia, WA. 98504
- C. KEN JACOBSEN
P.O. Box 36
Redmond, WA. 98502
- D. STATE OF WASHINGTON
DEPT. OF TRANSPORTATION
P.O. Box 12560
Yakima, WA. 98909
- E. JOYCE PALELEK
P.O. Box 701
Vantage, WA. 98950

N O T E
* DISTANCE MEASURED AT RIGHT ANGLE



C U R V E T A B L E

LINE	DELTA	RADIUS	ARC	CHORD BEARING	CHORD	TANGENT
C1	23°08'48"	1620.00'	654.46'	S 83°11'15" W	650.02'	331.75'
C2	39°54'15"	1395.00'	971.56'	S 74°48'31" W	952.04'	506.42'
C3	36°15'30"	1500.00'	949.24'	S 76°37'54" W	933.48'	491.12'
C4	39°54'15"	1500.00'	1044.69'	S 74°48'31" W	1023.70'	544.54'
	(39°54'15")	1500.00'	1044.69'			544.54'
C5	36°15'30"	1500.00'	949.24'	S 79°37'54" W	933.48'	491.12'
	(36°15'30")	1500.00'	949.24'			491.12'
C6	05°57'24"	1500.00'	155.95'	S 61°28'51" W	155.88'	78.04'
C7	21°47'59"	642.96'	244.63'	S 12°07'29" W	243.16'	123.81'
	[21°48']	642.96'	244.63'			
C8	03°42'00"	2814.79'	181.77'	S 03°04'30" W	181.74'	90.92'
	[03°42'0	2814.79'	181.77']			
C9	03°42'00"	2864.79'	185.00'	S 03°04'30" W	184.97'	92.53'
	[03°42'	2864.79'	185.00']			92.53']
C10	21°47'59"	572.96'	218.00'	S 12°07'29" W	216.68'	110.33'
	[21°45'	572.96'	218.00']			110.33']

<p style="text-align: center;">INSTRUMENT USED</p> <p>Trimble 5700 GPS Receivers - RTK Method</p> <p style="text-align: center;">Accuracy -- 5mm + 0.5 ppm (x baseline length)</p>	<p style="text-align: center;">INDEXING DATA</p> <p style="text-align: center;">S30 T17N R23E</p>
--	---

S U R V E Y O R ' S C E R T I F I C A T E

This map correctly represents a survey made by me or under my direction in conformance with the requirements of the Survey Recording Act at the request of Mr. Brian Stockdale in October, 2009

RICK N. SKINNER
STATE OF WASHINGTON
PROFESSIONAL LAND SURVEYOR
43619
REGISTERED

RICK N. SKINNER, P.L.S.
Washington Land Surveyor No. 43619

A U D I T O R ' S C E R T I F I C A T E

Filed for record this day of 2010, at M, in Book of Surveys at Page(s) under Auditor's File Number at the request of Western Pacific Engineering and Survey, Inc.

County Auditor

Deputy County Auditor

WESTERN PACIFIC ENGINEERING
AND SURVEY, INC.

A TERRA DEVELOPMENT SERVICES COMPANY
Pioneer Way Professional Center
1328 Hunter Place (509)765-1023 Moses Lake, Wash.

WA. STATE PARKS DEPT.

A Portion of the N 1/2 of Section 30,
Township 17 North, Range 23 East, W.M.

Kittitas County
Washington

Surveyed by LMH Date 11-09 Scale 1" = 200'
 Drawn by Tml/MMH Date 11-09 Sheet 3 of 4
 Checked by RNS Date 10-10 Project No. 09156

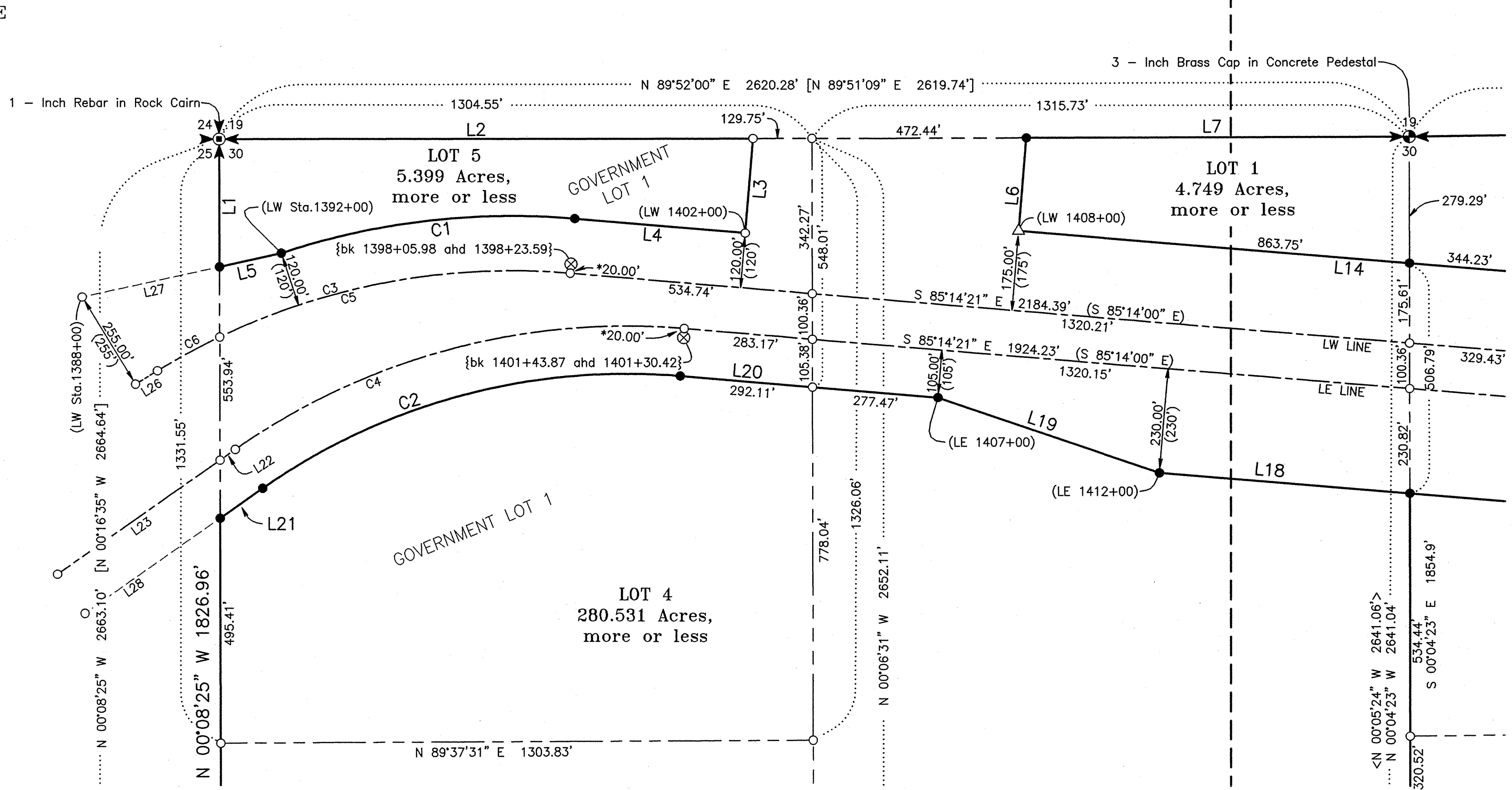
RECORD OF SURVEY

231730

A PORTION OF THE N 1/2 OF SECTION 30, TOWNSHIP 17 NORTH, RANGE 23 EAST, W.M. KITITAS COUNTY, WASHINGTON

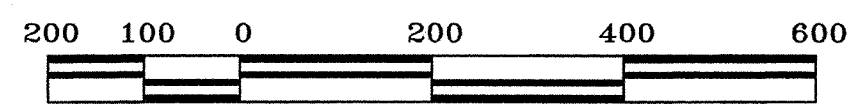
LINE TABLE

LINE	BEARING	DISTANCE
L1	N 00°08'25" W	282.20'
L2	N 89°52'00" E	1174.79'
L3	S 04°45'39" W	209.96'
L4	N 85°14'21" W	376.41'
L5	S 77°38'32" W	139.36'
L6	N 04°45'39" E	206.34'
L7	N 89°52'00" E	843.29'
L8	N 89°17'52" E	1316.90'
<hr/>		
	<N 89°16'48" E	1316.91'>
	((N 89°19'10" E	1316.90'))
L9	S 00°02'47" E	125.83'
	((S 00°00'09" E	125.91'))
L10	N 78°05'17" W	54.06'
L11	S 54°23'46" W	524.98'
L12	N 85°14'21" W	300.00'
L13	N 69°51'47" W	207.42'
L14	N 85°14'21" W	1207.98'
L15	N 75°27'00" W	137.42'
L16	N 44°52'29" W	262.49'
L17	N 85°14'21" W	1001.46'
L18	N 85°14'21" W	553.19'
L19	N 71°12'11" W	515.39'
L20	N 85°14'21" W	569.58'
L21	S 54°51'24" W	114.53'
L22	S 54°51'24" W	41.00'
L23	S 54°51'24" W	437.58'
L24	S 78°05'17" E	426.06'
	((S 78°04'18" E	428.08'))
L25	S 75°27'00" E	156.65'
L26	S 58°30'09" W	56.74'
L27	S 77°38'32" W	309.69'
L28	S 54°51'24" W	364.05'
L29	N 23°01'28" E	155.18'
	[N 23°01' E	180.1']
L30	S 66°58'32" E	20.00'
	[S 66°59' E	20.00']
L31	N 23°01'28" E	22.68'
	[N 23°01' E	22.68']
L32	N 01°13'30" E	159.32'
	[N 01°13' E	159.32']
L33	N 88°46'30" W	20.00'
	[N 88°47' W	20.00']
L34	N 01°13'30" E	3000.00'
	[N 01°13' E	3000.00']
L35	N 88°46'30" E	30.00'
	[N 88°47' E	30.00']
L36	N 01°13'30" E	300.00'
	[N 01°13' E	300.00']
L37	N 88°46'30" W	30.00'
	[N 88°47' W	30.00']
L38	N 04°55'30" E	346.23'
	[N 04°55' E	346.23']
L39	N 01°13'30" E	7.47'
	[N 01°13' E	7.47']



NOTE

* DISTANCE MEASURED AT RIGHT ANGLE



SCALE IN FEET

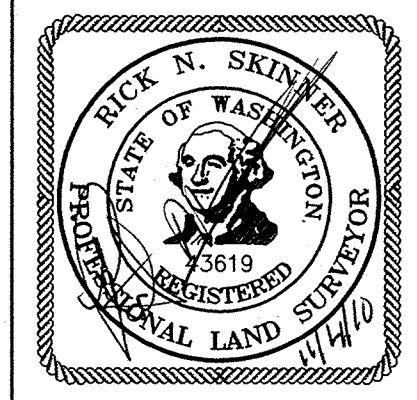
NOTES

- 40.00' Wide Easement for Aerial and Buried Telephone Line. Easement is 20.00' each side of described centerline, as found in Application No. 31921, recorded under Kittitas County Auditor's File No. 554211.
- Easement of varying width, for County Road Right of Way East of described line, as found in Application No. 2470, recorded under Kittitas County Auditor's File No. 554211.
- 20.00' Wide Easement for Road Right of Way. 10.00' each side of described centerline, of existing roads, as found under Application No. 32025, recorded under Kittitas County Auditor's File No. 554211.
- State Highway Right of Way, width varies, as found under Application No. SR 1050, recorded under Kittitas County Auditor's File No. 554211.

INSTRUMENT USED Trimble 5700 GPS Receivers - RTK Method Accuracy -- 5mm + 0.5 ppm (x baseline length)	INDEXING DATA S30 T17N R23E
--	---

SURVEYOR'S CERTIFICATE

This map correctly represents a survey made by me or under my direction in conformance with the requirements of the Survey Recording Act at the request of Mr. Brian Stockdale in October, 2009



Rick N. Skinner
RICK N. SKINNER, P.L.S.
Washington Land Surveyor No. 43619



AUDITOR'S CERTIFICATE
Filed for record this day of 2010, at M, in Book of Surveys at Page(s) under Auditor's File Number at the request of Western Pacific Engineering and Survey, Inc.

County Auditor

Deputy County Auditor

WESTERN PACIFIC ENGINEERING AND SURVEY, INC.
A TERRA DEVELOPMENT SERVICES COMPANY
Pioneer Way Professional Center
1328 Hunter Place (509)765-1023 Moses Lake, Wash.
WA. STATE PARKS DEPT.

A Portion of the N 1/2 of Section 30, Township 17 North, Range 23 East, W.M.

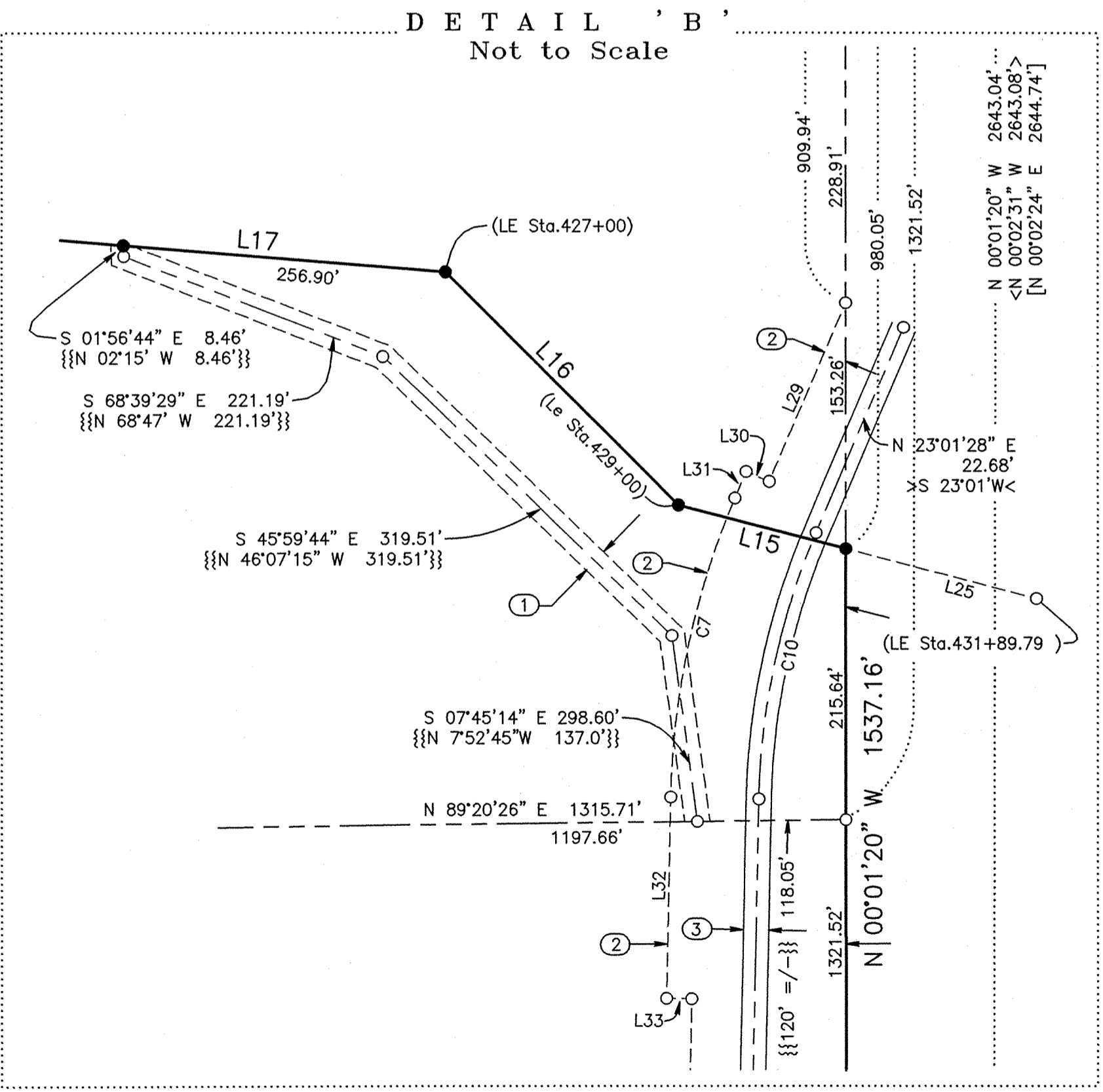
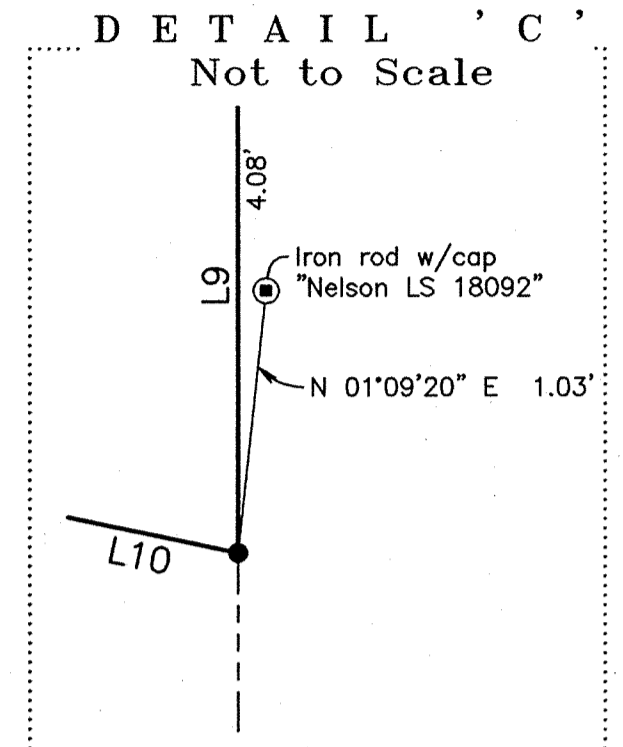
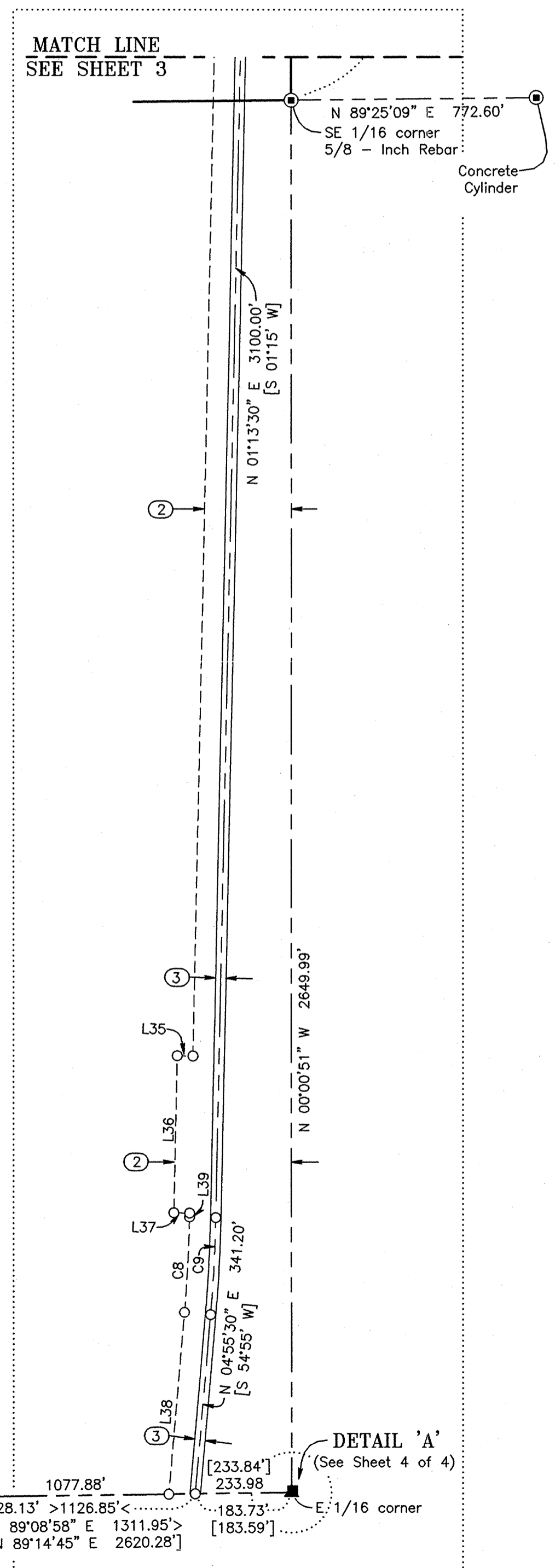
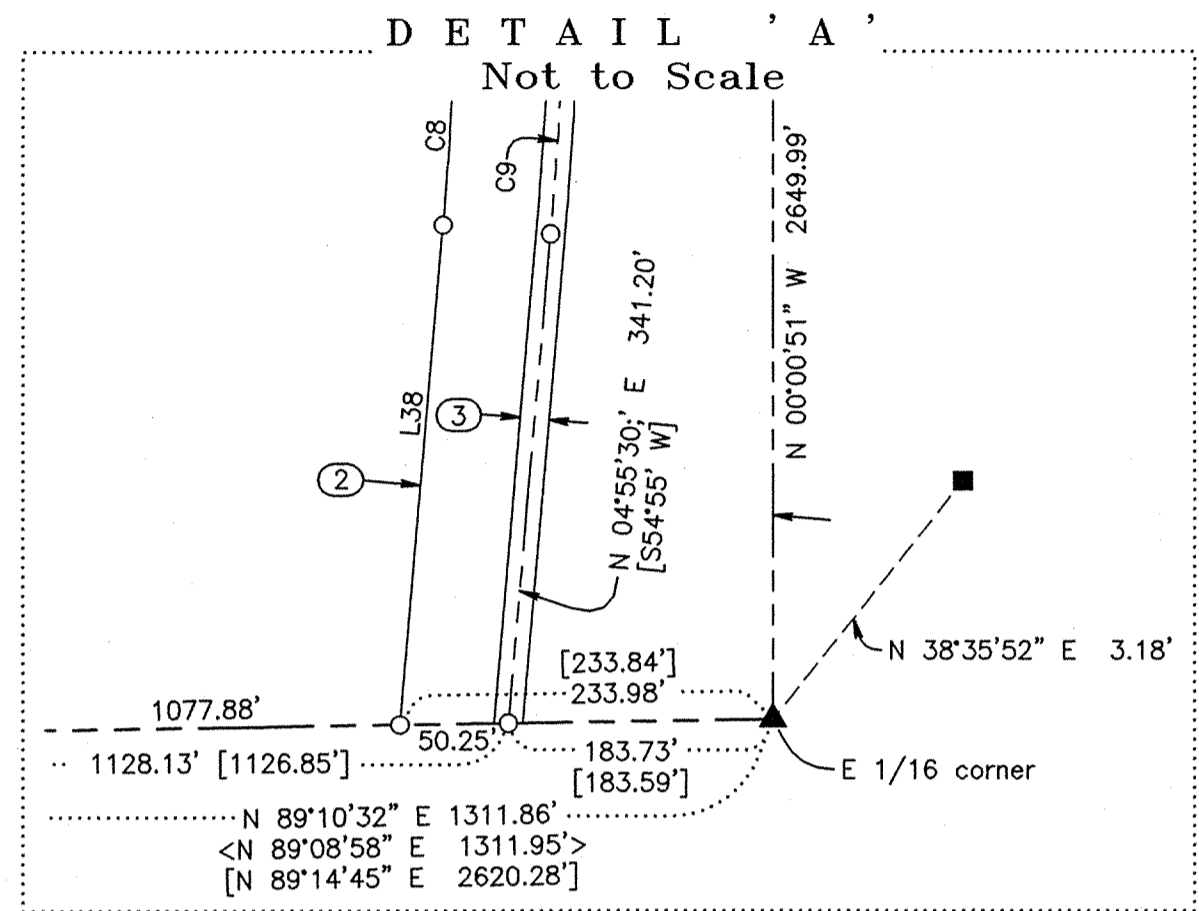
Kittitas County Washington
Surveyed by LMH Date 11-09 Scale 1" = 200'
Drawn by Tml/MMH Date 11-09 Sheet 2 of 4
Checked by RNS Date 10-10 Project No. 09156

File --- Project Desc: S:\09156\09156srs.pro Nov 4, 2010

RECORD OF SURVEY

231730

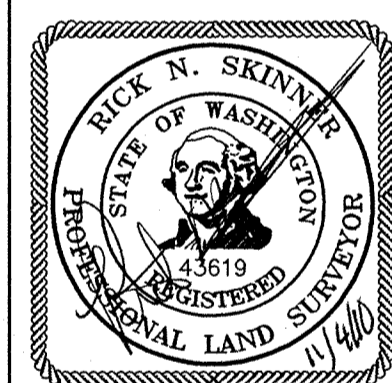
A PORTION OF THE N 1/2 OF SECTION 30, TOWNSHIP 17 NORTH, RANGE 23 EAST, W.M.
KITITAS COUNTY, WASHINGTON



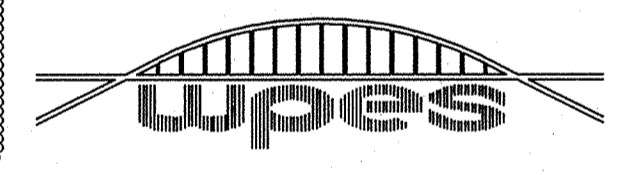
INSTRUMENT USED	INDEXING DATA
Trimble 5700 GPS Receivers - RTK Method	
Accuracy -- 5mm + 0.5 ppm (x baseline length)	S30 T17N R23E

SURVEYOR'S CERTIFICATE

This map correctly represents a survey made by me or under my direction in conformance with the requirements of the Survey Recording Act at the request of Mr. Brian Stockdale in October, 2009



Rick N. Skinner
RICK N. SKINNER, P.L.S.
Washington Land Surveyor No. 43619



AUDITOR'S CERTIFICATE

Filed for record this day of 2010, at M, in Book of Surveys at Page(s) under Auditor's File Number at the request of Western Pacific Engineering and Survey, Inc.

County Auditor

Deputy County Auditor

WESTERN PACIFIC ENGINEERING AND SURVEY, INC.
A TERRA DEVELOPMENT SERVICES COMPANY
Pioneer Way Professional Center
1328 Hunter Place (509)765-1023 Moses Lake, Wash.

WA. STATE PARKS DEPT.

A Portion of the N 1/2 of Section 30,
Township 17 North, Range 23 East, W.M.

Kittitas County	Washington
Surveyed by LMH Date 11-09	Scale 1" = N/A
Drawn by Tml/MMH Date 11-09	Sheet 4 of 4
Checked by RNS Date 10-10	Project No. 09156

File --- Project Desc.: S:\09156\09156rs.pro Nov 4, 2010